

REQUEST FOR PROPOSAL

“THE SOUTHWEST TELEHEALTH ACCESS
GRID”

University of New Mexico Health Sciences
Center and Hospitals

RURAL HEALTHCARE PILOT PROJECT
FUNDING YEAR 2009

SWTAG RFP 06

NETWORK INFRASTRUCTURE
PROCUREMENT

University of New Mexico Purchasing Office
1700 Lomas Blvd NE, Suite 2600
Albuquerque, NM 87131
Attn: Tom Weeks

SWTAG RFP 06

Table of Contents

	<u>Page</u>
i.0 General Information	3
1.0 Administrative and Procedural Information	4
2.0 Proposal Evaluation	6
2.1 Proposal and Contract Terms	6
2.2 Design Compatibility	8
2.3 Implementation Timeframe	8
2.4 Provider / Offeror Qualifications	9
2.5 Cost	9
3.0 Site, Routing and Technical Information	10
3.1 Overview	10
3.2 Project Components	10
3.3 General Specifications for All UNMHSC and UNMH Sites	10
3.4 Metropolitan Ethernet Connections to Novitski Hall Zone-Hub	12
3.5 Redundant Metropolitan Optical Ethernet for UNMHSC and UNMH	13
3.6 Upgrade Existing Metropolitan Ethernet for UNMHSC and UNMH	15
3.7 Firewall transversal solution for Video Conferencing and Telemedicine	16
Appendices	
Appendix A: Site Connectivity Drawings	17
Appendix B: Detailed Site Specifications	19
Appendix C: Metro Ethernet Site Price List	38

i. General Information

i.1. Introduction. The Southwest Telehealth Access Grid (SWTAG) Project is one of the Federal Communication Commission's (FCC) Rural Healthcare Pilot Programs (RHCPP). It is an integrated interstate network of networks built upon the extensive experience of key participants in rural telemedicine and rural healthcare in New Mexico, Arizona and the Southwest Indian Health Service (IHS) Telehealth Consortium and associated Tribes. This Grid creates the platform to more effectively share, distribute and coordinate telemedicine clinical services, educational and training programs among the healthcare provider organizations across the region, along with their associated human resources, thus more easily and effectively filling the gaps in meeting the health care needs of the rural communities throughout the network. Through Internet2 (I2) and the National Lambda Rail (NLR), this regional TAG network of networks, which is greatly facilitated and enhanced by the current USF Rural Healthcare Pilot Program, will enable our participating hospitals, clinics, and educational institutions to partner with peers throughout the United States to improve healthcare delivery and education via telemedicine.

The University of New Mexico is an accredited post-secondary educational and research institution which includes a Health Sciences Center (UNMHSC) with Schools of Medicine, Nursing and Pharmacy which provide distance education to many rural clinics and educational entities around the State of New Mexico. UNMHSC also has clinics distributed in the city of Albuquerque which provide clinical services to rural communities via telemedicine. The University of New Mexico Hospitals (UNMH) are a group of hospitals and clinics located throughout the city of Albuquerque which support rural health care entities in the State of New Mexico via telemedicine. As the University's telehealth systems are implemented and mature, the need for reliable, secure and robust broadband telecommunications connections becomes critical.

i.2. The SWTAG, UNMHSC and UNMH will construct an interconnected broadband network that links providers in the rural communities. Funding provided by the Federal Communications Commission (FCC) under the Commission's order 07-198 ('Rural Healthcare Support Mechanism') of 19 November 2007, as well as matching and participatory funds as defined in the Order and provided by the participants and their member sites and organizations will be utilized to construct this network.

i.3. Overview. The UNMHSC and UNMH FY09 project is designed to augment and enhance the existing wide-area networks of its member sites around the city of Albuquerque to enhance its ability to provide telehealth services over broadband to rural New Mexico. UNMHSC and UNMH are soliciting bids from Offerors, suppliers and service providers to provide the connectivity (carrier-based broadband and dedicated fiber optic cable installations) and any required edge network electronics and devices.

i.4. Offerors are asked to provide proposals based on the accompanying site, routing, and technical information. Although consolidated bids for connectivity, hardware, and services will be considered, Offerors are encouraged to submit bids for technological, logical, or geographical segments of the project. Thus, UNMHSC and UNMH will entertain three types of bids under this RFP.

i.5. Consolidated – One inclusive price to provide connectivity, equipment and carrier services for any or all of the sites, areas, or regions according the specifications set forth in this RFP.

i.6. Connectivity – Price to provide connectivity and carrier services for any or all of the sites, areas, or regions defined in this RFP.

i.7. Hardware – Price to provide hardware (logical network components, as defined herein) for any or all of the sites, areas, or regions defined in this RFP.

i.8. The RFP process will allow the UNMHSC and UNMH to receive the competitive offers for network development from independent telephone companies, local exchange carriers, cable operators, hardware distributors and manufacturers, cabling and construction contractors, and others. These competitive offers will be judged by UNMHSC and UNMH according to the criteria set forth within Section 2.0, and its subcomponents, of this document.

1.0 Administrative and Procedural Information

1.1. The Rural Health Care Pilot Program (RHCPP) of the Universal Service Fund, which is administered by the Universal Service Administrative Company (USAC), is a support program authorized by Congress and designed by the Federal Communications Commission (FCC) to encourage the development of rural broadband networks to provide advanced healthcare telecommunications capabilities and services to rural health care providers (HCPs).

1.2. Notice: This project is subject to the USAC procurement rules. Offerors must meet all USAC requirements. The SWTAG will submit a USAC Form 465 to USAC who will review the documentation and will post the RFP on the USAC website. More information on bidding and posting rules can be found at <http://www.lifelinesupport.org/rhc-pilot-program/Offerors>.

1.3. The following considerations apply to the proposal submission / review process:

1.3.1. Offerors may view Rural Health Care Pilot Participants FCC Form 465 and Project Scope Document postings at <http://www.lifelinesupport.org/rhc-pilot-program/Offerors>. **This site shows the official RFP posting date and the allowable contract date.**

1.3.2. The SWTAG, in partnership with the University of New Mexico Purchasing Department, has established a website for the convenience of Offerors. All RFP materials and associated documents will be posted on the UNM e-Procurement site, LoboSource. Note: While registration is suggested (via the Supplier Registration link), it is not required and SWTAG Offerors may access information directly through the [Current Bid Opportunities](#) link. (Please note: LoboSource is not compatible with Internet Explorer 7 and above. You must use IE6 or Mozilla Firefox.)

**The LoboSource (SWTAG) Offeror site may be reached at
<http://www.unm.edu/~purch/lobosource.html>**

1.3.3. Questions from Offerors. It is the responsibility of the Offeror to inquire about any condition of this RFP that is not understood. Queries from Offerors will be accepted via e-mail only, as described herein. Questions to individual UNMHSC, UNMH or SWTAG staff members via telephone/telefacsimile, e-mail or postal mail, will not be entertained.

All communication and inquiries, unless otherwise noted, must be directed to Melissa Crews at the University of New Mexico Center for Telehealth. Offerors wishing to submit questions or request technical clarifications concerning this UNMHSC and UNMH RFP should send e-mail inquiries to Melissa Crews at mcrews@salud.unm.edu with a copy to Tom Weeks at UNM Purchasing (tomweeks@unm.edu)

All questions submitted will receive written responses as soon as possible and will constitute official communications from the UNMHSC and UNMH project. Note: any and all question submittals and requests for clarification must be provided in writing. Responses to inquiries, if they change or clarify the RFP in a substantial manner, will be posted/distributed as a written addendum to this RFP. Any communications with SWTAG, UNMHSC or UNMH staff members other than as noted above should not be considered authoritative, are not binding on SWTAG, UNMHSC or UNMH, and may be disavowed without notice or explanation.

1.3.4. In the event it becomes necessary for UNMHSC and UNMH to amend, add to or delete any part of this RFP, the amendment will be posted on the USAC web site, as required by the Order and by the USAC-mandated bidding procedures, and will additionally be posted on the SWTAG Offeror site.

1.3.5. Bid proposals must be received at the University Purchasing office no later than 30 calendar days from the date of posting of this RFP on the USAC website. This receipt deadline requirement is a mandatory requirement and is not subject to waiver by SWTAG, UNMHSC or UNMH. Accordingly, no bid proposals will be accepted after the date and time specified. A late bid proposal will be returned unopened to the Offeror.

1.3.6. No bid proposal will be accepted by telephone, electronic mail or facsimile. The proposal receipt deadline is for actual receipt in the UNMHSC and UNMH delivery location shown in Section 1.3.7. Delivery, whether via postal mail of other service, must be arranged to assure arrival before the deadline set forth above.

1.3.7. Two original hard copy bid proposals must be mailed or otherwise physically delivered to each of the following addresses:

University of New Mexico
Purchasing Office
John & June Perovich Business Center
1700 Lomas NE, Suite 2600
Albuquerque, NM 87131
Attn: Tom Weeks/UNMHSC and UNMH SWTAG Project

UNM Center for Telehealth
Southwest Telehealth Access Grid Project
1005 Columbia NE
Albuquerque, NM 87106
Attn: Melissa Crews

In addition, one copy of the proposal on CD must be delivered to the University of New Mexico Purchasing Office, 1700 Lomas NE, Suite 2600, Albuquerque, NM 87131 (Attn: Tom Weeks).

NOTE: It is strongly suggested that certified delivery services be used to verify the receipt of bids by University Purchasing office.

1.3.8. The bid proposals and the evaluation documents created by UNMHSC and UNMH will remain confidential until UNMHSC and UNMH has evaluated all of the compliant bid proposals submitted in response to this RFP and the selection process is complete. Once the evaluation and selection process is complete, all information, except that classified as confidential, will become public information will be available for inspection on the SWTAG web site at Lobosource.

1.3.9. Award information will be posted electronically on the SWTAG web site, LoboSource through the [Awarded Bid Information](#) link.

1.4. Bid Proposal General Requirements

1.4.1. Failure to comply with or supply any and all information requested to accompany bid proposals may be cause for rejection of the proposal as non-compliant.

1.4.2. Offeror assumes all costs of preparation of the bid. The University of New Mexico, SWTAG, UNMHSC, and UNMH and any of their employees or officers shall not be held liable for any expenses incurred by any Offeror responding to this RFP for expenses to prepare, deliver the proposal, or to attend any mandatory pre-bid meeting or oral presentations.

1.4.3. All bid proposals must be valid for a period of 120 days from the date of submission.

1.4.4. By submitting a bid proposal the Offeror agrees to the terms and conditions contained within this RFP.

2.0 Proposal Evaluation

2.0.1. The primary objective of this RFP, and any subsequent contract, is to obtain the most feasible and cost-effective installation with the required standards for product and service delivery. Offeror proposals will be evaluated for compliance with all instructions, specifications, and the terms and conditions.

2.0.2. Multiple Awards. The University reserves the right to make multiple awards, or to otherwise split the award of the items, projects, and/or sections of this proposal.

2.0.3. The selection will be based on all factors indicated in this RFP, and may not go to the lowest Offeror if cost is outweighed by a combination of other features in the winning Offeror's bid.

2.0.4. UNMHSC and UNMH reserve the right to select bid proposals which, in the sole judgment of UNMHSC and UNMH, most nearly conform to the specifications set forth herein, will best serve the needs of UNMHSC and UNMH and its member sites and participants, and provide the most cost-effective means for producing those results.

2.0.5. UNMHSC and UNMH reserve the right to waive any and all issues of form or presentation in considering bid presentations for acceptance or rejection, if, in the sole opinion of UNMHSC and UNMH, such waiver is in the best interests of the project.

2.0.6. UNMHSC and UNMH are not responsible for any costs incurred by a Offeror related to the preparation or delivery of the bid proposal, or any other activities carried out by the Offeror, as it relates to this RFP.

2.0.7. UNMHSC and UNMH are not obligated to accept any proposal received in response to this RFP. In particular, UNMHSC and UNMH may accept received proposals in whole or in part, or may reject all proposals received.

2.0.8. Changes in applicable laws and rules may affect the award process or any resulting contracts. Offerors are responsible for ascertaining pertinent legal requirements and restrictions. Offerors are encouraged to visit the official Federal websites pertaining to the Pilot Project, at <http://www.lifelinesupport.org/rhc-pilot-program/> and <http://www.fcc.gov/cgb/rural/rhcp.html>.

2.0.9. The selection decisions made by UNMHSC and UNMH, and reported to SWTAG and USAC under this RFP are final, and appeals or re-submissions will not be considered.

2.0.10. Offerors are to organize proposals in the order stated in this section 2.0. in responding to this RFP, Offerors are encouraged to provide additional information if Offeror believes that information to be relevant. Responses should provide the details required and not solely a statement of acknowledgment.

2.0.11. Provide name, address, e-mail address, telephone numbers, and facsimile number of the Offeror.

2.0.12. Provide name, title, e-mail address, and telephone number of the primary contact of the Offeror.

2.0.13. Provide signature of the Offeror or of an officer/employee who certifies that he/she has the authority to make the bid.

2.0.14. Provide a statement with the dates for which this offer is valid.

2.0.15. Offers will be evaluated and scored based upon how well the Offeror describes/responds to the following evaluation criteria. The submission of proposals must be organized to include, but not be limited to the following:

PROPOSAL EVALUATION CRITERIA

2.1. Proposal and Contract Terms (10 possible points)

2.1.1. Offers will be evaluated and scored based upon how well the Offeror describes/responds to the following:

2.1.2. Provide a detailed description of the work proposed in response to this RFP. The submission must include, but is not limited to, addressing all requirements and each question contained within Sections 2.1, through Section 2.5, and Section 3.0 and their subparagraphs.

2.1.3. Offeror's response to the RFP demonstrates a clear and complete understanding of the goals of the overall project.

2.1.4. Offeror's proposition for providing the consolidated project needs – i.e., proposals that combine connectivity, hardware, and services.

2.1.5. The above notwithstanding, Offerors may bid for connectivity, network edge hardware or site specific bids based on geographic area of coverage.

2.1.6. Connectivity services – Bids are provided for 1-year, 2-year, 3-year and 5-year duration (except where noted in the detail site listing).

2.1.7. Hardware service and maintenance – Bids are provided for 1-year, 2-year, 3-year and 5-year duration.

2.1.8. Service Level Agreement and/or performance guarantees are provided, including uptime and response time guarantees.

2.1.9. Proposed system testing and acceptance provisions will be required on all bid proposals. UNMHSC and UNMH reserve the right to work in concert with Offerors to develop appropriate testing and acceptance criteria for specific installations or configurations, to be defined and accepted by both parties prior to contract initiation.

2.1.10. Any contract resulting from this RFP will contain specific deliverable items' acceptance provisions.

2.1.11. Bid proposals are to contain acknowledgement of, and provisions for providing, USAC invoicing requirements and formats. Offeror will conform to invoicing procedures and processes as promulgated by USAC.

2.1.12. Provide a statement of the Offeror, that if awarded the contract, Offeror will comply with the contract Terms and Conditions as set forth in this RFP. USAC procedures and processes

must be met. Please provide a statement containing acknowledgement of, and provisions for providing, USAC invoicing requirements and formats.

2.1.13. Offeror shall identify and agree to provide a project manager or other individual who will be the primary contact for all dealings with UNMHSC and UNMH project.

2.1.14. The successful Contractor will be required to provide full documentation upon completion.

2.2. Design Compatibility (20 possible points)

2.2.1. Offers will be evaluated and scored based upon how well the Offeror describes/responds to the following:

2.2.2. Connectivity Services

2.2.2.1. Offeror's proposal accounts for existing network design within the member site network(s) to which its bid applies, and does not require re-grooming or reconfiguration of circuits or transports not directly impacted by the project. (This requirement does not include the decommissioning of existing circuits being replaced by new UNMHSC- and UNMH-specified circuits.)

2.2.2.2. Offerors for any optical circuits or raceways must comply with design guidelines.

2.2.3. Hardware Components

2.2.3.1. Offeror's proposal for hardware meets the stated requirements of the RFP in all respects without substitution or alteration of required functionality.

2.2.3.2. Offeror's proposal accounts for existing hardware components and network logical and physical topology, and does not impose restrictions or reconfiguration requirements to accommodate specifications of proposed equipment that do not meet RFP requirements. (This requirement does not include the reconfiguration or decommissioning of existing equipment being replaced by new UNMHSC- and UNMH-specified devices.) Compatibility with current HSC Network management applications and routing protocols is critical. In particular, all network electronics needs to be able to be managed by CiscoWorks Resource Manager Essentials version 4.3.x via SNMP v3 & SSH and all layer 3 switches and routers need to support OSPF and EIGRP.

2.2.3.3. Offeror's proposal includes maintenance and support contract options.

2.2.3.4. Offeror's proposal includes only those installation and configuration services specifically requested in the RFP.

2.3. Implementation Timeframe (15 possible points)

2.3.1. Offers will be evaluated and scored based upon how well the Offeror describes/responds to the following:

2.3.2. Implementation timeline must begin no later than 30 days from the date of award notification.

2.3.3. Bid proposals must identify each (any or all) specific portion of the project the offeror proposes to perform, and include a project plan and timeline detailing milestones and overall schedule for each. Critical path items and potential delay circumstances must be clearly identified.

2.4. Provider / Offeror Qualifications (15 possible points)

2.4.1. Provide evidence of the Offeror's prior experience and qualifications related to accomplishing the requested work. Address each item in Section 2.4 and its subparagraphs.

2.4.2. Offeror possesses the ability to provide proposed services or products in the manner and within the timeline(s) specified in the RFP, as determined by UNMHSC and UNMH, based on:

2.4.3. Describe the prior experience and qualifications related to accomplishing the work as requested. Offeror must provide a current Service Provider Identification Number (SPIN) in their proposal.

2.4.4. References: provide a list of references that identifies services provided on contractors for similar work. Include telephone numbers and mailing addresses of individuals who can attest to the Offeror's experience and qualifications of the services requested.

2.4.5. Reputation in the industry. Provide background regarding the Offeror, including: length of time in business, other activities performed by the Offeror, and number of individuals on staff (including owners, partners, and employees).

2.4.6. Contractor's history of reliability and customer service based on past performance in the experience of one or more of the UNMHSC and UNMH member sites; and

2.4.7. Objective qualifications of key staff and proposed project personnel. Describe the experience and qualifications for the specific individuals who will provide the work.

2.5. Cost (40 possible points)

2.5.1. Provide a detailed cost proposal for providing the services requested, per Section 2.5 and its subparagraphs. Use Metro Ethernet Site Pricing List (Appendix C).

2.5.2. UNMHSC and UNMH will select the most cost effective bid or bids presented, whether that is a consolidated bid for all sites in the UNMHSC and UNMH project, as defined herein, all sites within a member's region, or site-by-site bids for connectivity or hardware.

2.5.3. All costs may not qualify for RHCPP funding, so it is critical that accurate, detailed cost information be provided for all portions of the bid proposal. Please indicate on your proposal that this is understood.

2.5.4. Bid proposals must identify all costs associated with the proposed solution, including design, installation, configuration, maintenance, and monthly recurring costs.

Specifically, for connectivity proposals include costs for:

2.5.4.1. Implementation fees, including one-time connection or provisioning charges, hardware costs.

2.5.4.2. Monthly recurring charges amortized over the period of the proposed contract, for transmission at the proposed bandwidth, port charges, transport charges, taxes, fees, and assessments.

2.5.4.3. Contract termination provisions, including specific penalties, if any, for early termination by UNMHSC and UNMH.

Specifically, for hardware and fiber installation proposals include costs for:

2.5.4.4. Purchase price for each unit. Bundled pricing may be cited, but individual components must be identified and detailed pricing provided.

2.5.4.5. Shipping costs for each unit or shipment.

2.5.4.6. Design, engineering, configuration and installation charges.

2.5.4.7. Taxes, permits, fees, licenses.

2.5.4.8. Maintenance and/or support charges for the proposed contract period.

3.0 Site, Routing, and Technical Information

3.1. Overview. The UNMHSC and UNMH project consists of the addition and enhancement of broadband connectivity, fiber optic cable installation, and concomitant site-based network routing hardware at seventeen (17) sites in New Mexico in support of its participation in the SWTAG and that project's selection as a participant on the FCC Rural Healthcare Pilot Program.

3.2. Project Components. The requirements for this RFP are grouped by scope subcomponents to enable Offerors to most effectively evaluate the site(s) for which to submit proposal(s).

- Section 3.4: Metropolitan Ethernet Connections to Novitski Hall Zone-Hub,
- Section 3.5: Redundant Metropolitan Optical Ethernet for UNMHSC and UNMH,
- Section 3.6: Upgrade Existing Metropolitan Ethernet for UNMHSC and UNMH,

3.3. General Specifications for All University of New Mexico Health Sciences Center and Hospital Sites

3.3.1. All broadband links specified are to provide transport between each indicated originating site and termination site. See Appendix A, page 22 for the Site Connectivity diagram.

The UNMHSC and UNMH wide-area network system is currently maintained by

University of New Mexico Hospitals
2211 Lomas Blvd. NE
Albuquerque, NM 87106-2745

3.3.2. The requirement to connect to the existing UNMHSC and UNMH wide-area network system notwithstanding, Offerors are encouraged to propose specific designs for providing the backhaul services and connectivity needed to accomplish that goal.

3.3.3. Connectivity Requirements – Broadband Links

3.3.3.1. All circuits are to be fully provisioned from end-point to core location. Physical facility installation to the demarcation point at each site affected must be included in the bid.

3.3.3.2. Transport: To be determined by Offeror, but must be transparent to layer-2 and higher protocols, including UNMHSC and UNMH wide-area network. Use of techniques like 802.1Q Tunneling to accomplish this is acceptable.

Comment [kr1]: We currently run VLANs via 802.1Q Tunneling to simulate point to point networks.

3.3.3.3. Bandwidth: Specified within each scope subcomponent section (Sections 3.4 through 3.12), as well as in Appendix B: Detailed Site Specifications.

3.3.3.4. Latency: < 60ms; (between site and core routers as identified within the scope subcomponent sections, Sections 3.4 through 3.12).

3.3.3.5. Stability (video): jitter: good 0 – 20 ms, acceptable 20 – 50ms; packet loss good 0 – 0.5%, acceptable 0.5 – 1.5%.

3.3.3.6. Site connectivity physical circuit redundancy should be proposed where the site's location and circumstances provide the capability of effectively providing redundant entry points to the facility, and the appropriate network hardware needed to manage the redundant circuits.

3.3.3.7. Site connectivity backhaul redundancy and resiliency should be proposed when possible, to provide separate physical and logical paths for redundant circuits. Resiliency for backhaul circuit transport is required, with provisioning to take into account that need.

3.3.3.8. Physical facilities and provisioning to the demarcation point of each site must be included in the proposal, where needed.

3.3.5. Edge Hardware (Router) Requirements

3.3.5.1. Routers are required for most sites as specified in the detailed site listing, Appendix B.

3.3.5.2. Routers must be compatible with existing network hardware in the UNMHSC and UNMH network on a functional, configuration, and physical level, and with existing network management software.

3.3.5.3. General configuration information for the router type is specified in Appendix B: Detailed Site Specifications. These configurations are based on Cisco products, but Cisco-brand hardware is not required. Proposals offering alternate brands and configurations are acceptable, with due consideration of the requirements for compatibility and interoperability. Compatibility with current HSC Network management applications and routing protocols is critical. In particular, all network electronics needs to be able to be managed by CiscoWorks Resource Manager Essentials version 4.3.x via SNMP v3 & SSH and all layer 3 switches and routers need to support OSPF and EIGRP.

3.4. Metropolitan Ethernet Connections: Each of the following Health Care Provider sites shall be connected back to the Data Center at 2320 Tucker NE (Novitski Hall Zone-Hub) using a Metro Ethernet connection. All addresses are in Albuquerque, New Mexico. Detailed site information is located in Appendix B. Use Metro Ethernet Site Pricing List (see Section 2.5 Cost).

Site Name	Address	Connecting to	Routing Equipment
UNMH Family Health Clinic – Westside	4808 McMahon NW	2320 Tucker NE – HSC Main Campus	Cisco 2911 or Equivalent
UNMH Maternity & Family Planning Clinic – South Broadway	1500 Walter SE	2320 Tucker NE – HSC Main Campus	Cisco 2911 or Equivalent
UNMH Psychosocial Rehabilitation	2001 El Centro Familiar Blvd. SW Suite D	2320 Tucker NE – HSC Main Campus	Cisco 2911 or Equivalent
UNMH Maternity & Family Planning Clinic – Northwest Valley	1231 Candelaria Rd. NW	2320 Tucker NE – HSC Main Campus	Cisco 2911 or Equivalent
UNMH Maternity & Family Planning Clinic – West Mesa	6900 Gonzales Rd SW, Suite H	2320 Tucker NE – HSC Main Campus	Cisco 2911 or Equivalent
UNMH Addictions and Substance Abuse Programs (ASAP)	2450 Alamo SE	2320 Tucker NE – HSC Main Campus	Cisco 2911 or Equivalent
UNMH Assertive Community Treatment (ACT)	622 Manzano NE	2320 Tucker NE – HSC Main Campus	Cisco 2911 or Equivalent
UNMH Digestive Disease Center for Excellence	1001 Dr. Martin Luther King Jr. Blvd NE	2320 Tucker NE – HSC Main Campus	Cisco 2911 or Equivalent
UNMH Lifeguard Air Emergency Services	2505 Clark Carr Loop SE	2320 Tucker NE – HSC Main Campus	Cisco 2911 or Equivalent
UNM Vein Center	7007 Wyoming NE Suite A-3	2320 Tucker NE – HSC Main Campus	Cisco 2911 or Equivalent
HSC Continuum of Care	2350 Alamo Avenue SE Suite 155	2320 Tucker NE – HSC Main Campus	Cisco 2911 or Equivalent
HSC CON East Mountain Family Health	1841 Old Highway 66 Edgewood, NM 87015	2320 Tucker NE – HSC Main Campus	Cisco 2911 or Equivalent
CRCBH	2301 Yale Blvd. SE, Suite F-1 Albuquerque, NM 87106	2320 Tucker NE – HSC Main Campus	Cisco 2911 or Equivalent

3.4.1. All broadband links specified are to provide transport between each indicated site and the UNMHSC and UNMH wide-area network system currently in use and connecting to the Novitski Hall Zone-Hub at 2320 Tucker NE, Albuquerque, New Mexico. See Appendix A for the Site Connectivity diagram.

3.4.2. Connectivity Requirements: Metro Ethernet connection. Offerors shall provide proposals for the necessary buildout and monthly costs for Metro Ethernet at 5, 10, 15, and 20Mbps. **In the case of the HSC CON East Mountain Family Health, 1.5 Mbp/s T1 pricing is also requested.**

3.4.3. Edge Hardware (Router) Requirements: Routers are required for the sites as specified above and in the detailed site listing, Appendix B. Cisco 2911 or equivalent is required, but Cisco-brand hardware is not required. Proposals offering alternate brands and configurations are acceptable, with due consideration of the requirements for compatibility and interoperability set forth above. Compatibility with current HSC Network management applications and routing

protocols is critical. In particular, all network electronics needs to be able to be managed by CiscoWorks Resource Manager Essentials version 4.3.x via SNMP v3 & SSH and all layer 3 switches and routers need to support OSPF and EIGRP.

3.5 Redundant Metropolitan Optical Ethernet for UNMHSC and UNMH

3.5.1. UNMH and UNMHSC currently have a single Metropolitan Ethernet connection used for remote sites. The existing connection is located at the Novitski Hall Zone-Hub, 2320 Tucker NE, Albuquerque, New Mexico. This scope would fund a second Metropolitan Ethernet connection compatible with the first at a second UNMHSC core location. The second connection should be physically diverse to a different Central Office than the existing connection at 2320 Tucker NE.

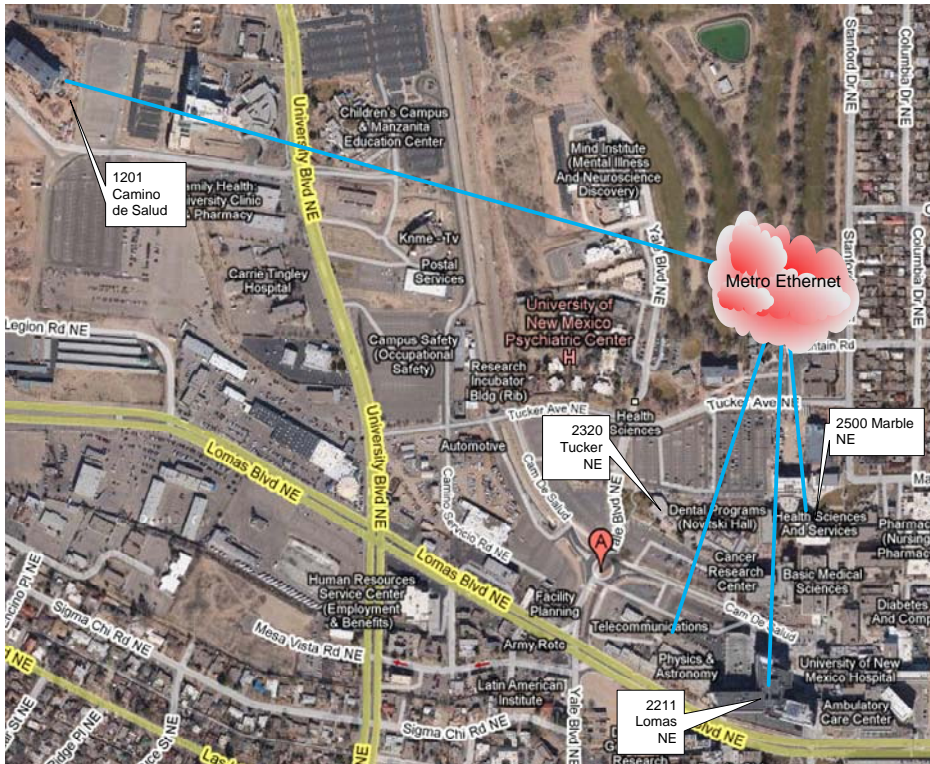
3.5.2. Connectivity Requirements: Offerors shall provide proposals for necessary build-out and monthly costs for 50 and 100Mbps Metro Ethernet connectivity at the following locations. Only one site will be selected.

- UNMHSC Health Sciences and Services Building 1st floor network room (HSSB) located at 2500 Marble NE, Albuquerque, NM,
- UNM Hospital located at 2211 Lomas Blvd NE, Albuquerque, NM (Either the main data center or the BBRP data center), or
- UNM Cancer Center (UNMCC) located at 1201 Camino de Salud NE, Albuquerque, NM.

3.5.2.1. The redundant connection shall not use fiber, copper, or pathways that the existing circuit uses, nor shall any fiber, copper, or pathways be within 20 feet of those currently in use.

3.5.2.2. All compatible configurations must be installed to allow for 200ms failover between the primary and secondary connection sites. As all devices are layer 3 devices running OSPF, solutions that depend on routing protocols to detect and failover are allowed as long as failover can be accomplished in that time frame.

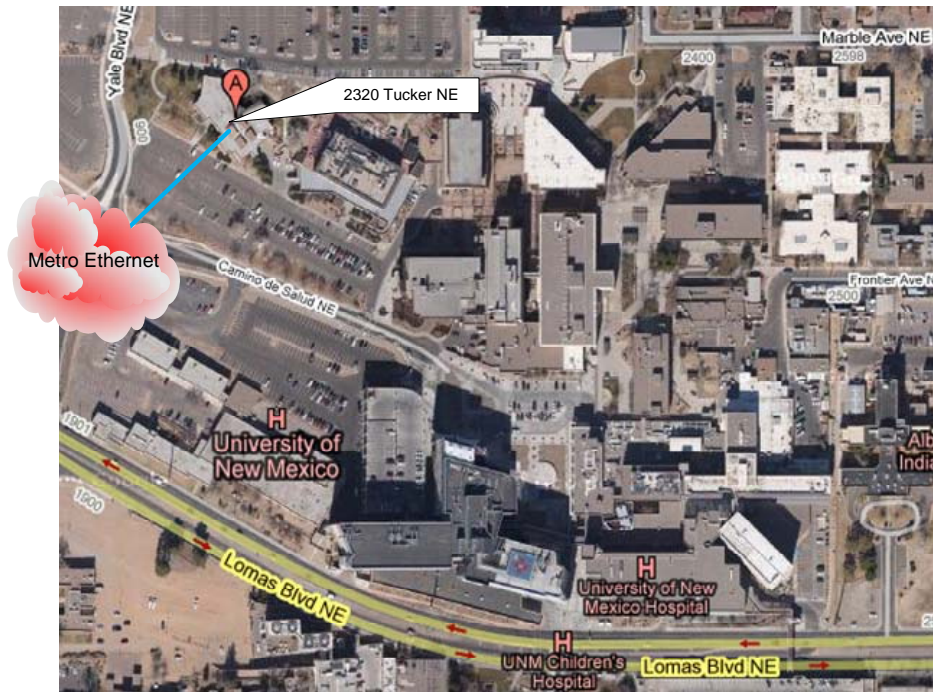
3.5.3. Edge Hardware Requirements: Offerors shall provide Cisco (or equivalent) 3945 with dual power supply with 2 LX singlemode Gigabit connection and 1 copper gigabit Ethernet connection. Cisco-brand hardware is not required. Proposals offering alternate brands and configurations are acceptable, with due consideration of the requirements for compatibility and interoperability set forth above and in Section 3.0.



Note: This drawing is for reference only and does not illustrate exact conduit path or building entrance

3.6. Upgrade Existing Metropolitan Ethernet for UNMHSC and UNMH

3.6.1. Connectivity Requirements: Offerors shall provide proposals to upgrade the existing Metropolitan Ethernet connection at the Novitski Hall Zone-Hub located at 2320 Tucker NE, Albuquerque, New Mexico, to 100 Mbps or 200Mbps. Proposals should include the necessary buildout and monthly costs for each option.



Note: This drawing is for reference only and does not illustrate exact conduit path or building entrance

3.7 Firewall transversal solution for Video Conferencing and Telemedicine.

3. 7.1 This project is to increase the security and scalability of the existing UNM Telemedicine, Project Echo and other video conferencing systems deployed inside the Health Science Center. Location is flexible, Novitski Zone-hub can be used for a placeholder, but the equipment can be located in any HSC or UNMH data center, HSSBZH or NovZH.

3. 7.2 The traversal solution hardware must provide the functions of signaling and media validation and to provide the transmission of IP video and audio (SIP/H.323) packets without modifying or impeding the integrity of such Packets. The traversal solution should provide an intelligent integrated H.323 gatekeeper and/or SIP registrar for providing seamless interoperability with a myriad of devices regardless of their native transport protocol version, requirements or manufacturer.

3. 7.3 The gatekeeper functionality must include registration of devices inside the HSC that have non-reserved DHCP assigned RFC 1918 address such that authorized users outside and inside the HSC can establish arbitrary video sessions through the firewall without requiring a system administrator to do call setup.

3. 7.4 The Traversal Solution must provide as a minimum support for encryption and the following protocols/resolutions during traversal calls:

3. 7.4.1 Video Protocols - H.263, H.264

3. 7.4.2 Video Resolutions - QCIF, CIF/SIF, 288p, 400p, 448p, 2SIF, 4CIF/4SIF, VGA

3. 7.4.3 Audio Protocols - G.722, Siren-14, AAC-LC, AAC-LD

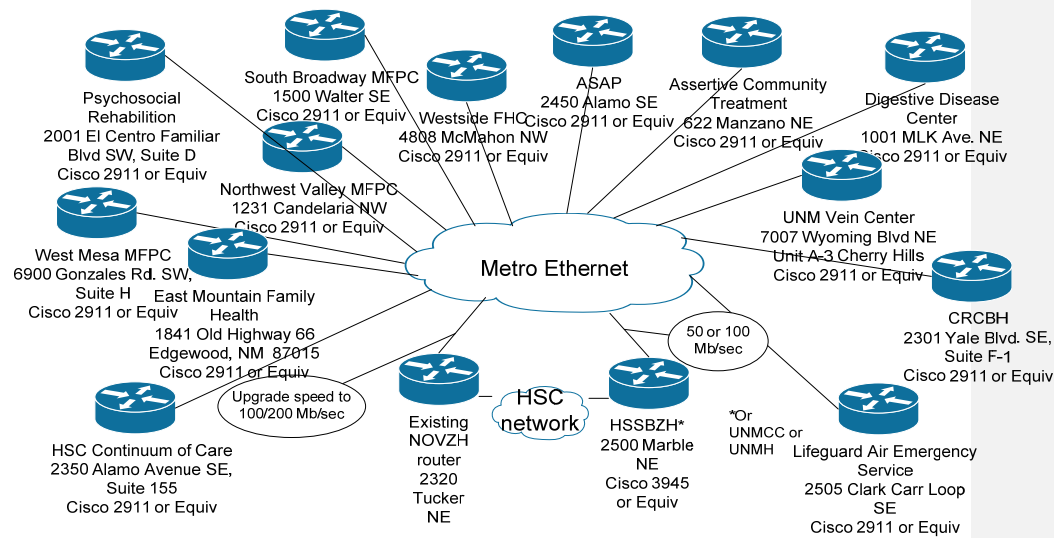
3. 7.5 It would be desirable if the product can be deployed in a fault-tolerant fashion but proposal should include a non-fault-tolerant option.

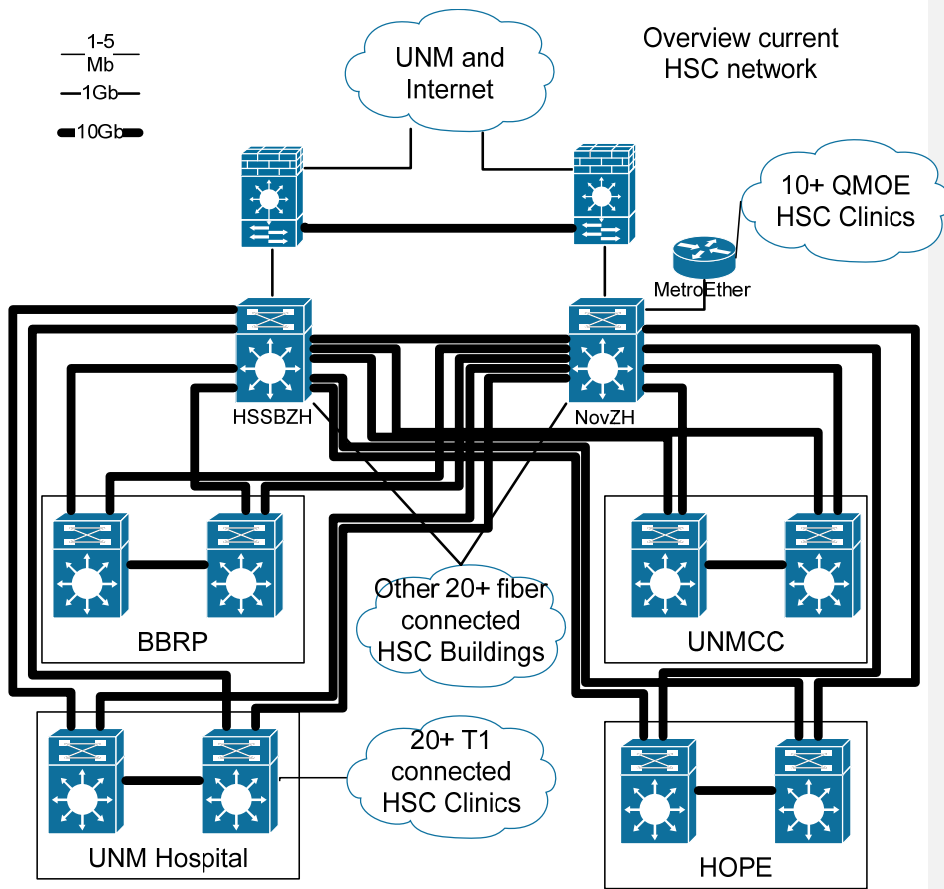
3. 7.6 Product must be an existing commercial off-the shelf product and Offeror must include initial installation plus technician level training for at least 4 people and engineer level training for 2 people.

Appendix A: Site Connectivity Drawings

The following drawings provide a graphical depiction of the connectivity solicited by this RFP. The drawings are schematic in nature and are intended to provide an overview only. In the event of a discrepancy between the drawings and the Detail Site Specifications or any written description or specification in this RFP, the written version shall be considered to be authoritative.

Proposed Metropolitan Ethernet Connections (supporting Section 3.4.)





Appendix B: Detailed Site Specifications

The following pages provide information for each site in the vicinity of Albuquerque, New Mexico, for which bids are solicited.

Site #1: Novitski Hall zone-hub (2320 Tucker NE), p. 21

Site #2: UNMHSC Health Sciences and Services Building Zone-hub (2500 Marble NE), p. 22

Site #3: UNMH Hospital (2211 Lomas Blvd. NE), p. 23

Site #4: UNMHSC UNM Cancer Center Zone-hub (1201 Camino de Salud NE), p. 24

Site #5: UNMH Family Health Clinic - Westside (4808 McMahon NW), p. 25

Site #6: UNMH Maternity & Family Planning Clinic – South Broadway (1500 Walter SE), p. 26

Site #7: UNMH Psychosocial Rehabilitation (2001 El Centro Familiar Blvd. SW, Suite D), p. 27

Site #8: UNMH Maternity & Family Planning Clinic – Northwest Valley (1231 Candelaria NW), p. 28

Site #9: UNMH Maternity & Family Planning Clinic – West Mesa (6900 Gonzales Rd. SW, Suite H), p. 29

Site #10: UNMH Addictions & Substance Abuse Programs (2450 Alamo SE), p. 30

Site #11: UNMH Assertive Community Treatment (622 Manzano NE), p. 31

Site #12: UNMH Digestive Disease Center for Excellence (1001 Dr. Martin Luther King Jr. Ave. NE), p. 32

This site provides endoscopy and clinical care for stomach, liver and intestinal issues.

Site #13: UNMH Lifeguard Air Emergency Services (2505 Clark Carr Loop SE), p. 33

Site #14: HSC Continuum of Care (2350 Alamo Avenue SE, Suite 155), p. 34

Site #15: HSC College of Nursing, East Mountain Family Health (1841 Old Highway 66 Edgewood, NM 87015), p. 35

Site #16: Center for Rural and Community Behavioral Health CRCBH (2301 Yale Blvd. SE, Suite F-1), p. 36

Site #17: UNM Vein Center (7007 Wyoming Blvd NE, Unit A-3 Cherry Hills, Albuquerque NM 87109), p. 37

Each specification sheet provides site physical and contact information, as well as connectivity and hardware requirements.

Connectivity: Specified in terms of the desired transport type (Ethernet or TDM (DS1/DS3)). Multiple TDM circuits, if specified, are to be 'bonded' to provide aggregate bandwidth. Equivalent bandwidth of alternate types may be proposed, provided all requirements of Section 3.0 herein are met.

Hardware: Specified in terms of the Cisco Systems type/model desired for the primary router(s) to provide OSI Layer 3 'edge' connectivity for the circuits. Other brands or systems may be proposed, but Offerors are cautioned that the compatibility requirements of Section 3.0 herein must be met.

Facility #1: **Novitski Hall Zone-hub**
2320 Tucker NE
Albuquerque, NM 87106
505-272-4513

Contact: Matt Braun
505-272-3270

Funding year: FY3-2009

Connectivity: See RFP Section 3.3 (pp. 10-11) for general UNM routing and connectivity requirements.

1. Metro Ethernet at either 5, 10, 15, or 20 Mbps shared between Novitski Hall and each of the locations listed in RFP Section 3.4 (p. 12) and described in Appendix A: Site Connectivity, p. 17.
2. Upgraded Metro Ethernet at Novitski Hall to either 100 Mbps or 200 Mbps (per RFP Section 3.6, p. 15)

Hardware:

Metro Ethernet

Product	Description	Quantity
HWIC-1GE-SFP	GigE High Speed WIC With One SFP Slot	1
GLC-LH-SM	GE SFP, LC connector LX/LH transceiver	1
HWIC-16A	16-Port Async HWIC	1
CAB-HD8-ASYNC	High Density 8-port EIA-232 Async Cable	2

Facility #2: UNMHSC Health Sciences and Services Building Zone-Hub
 2500 Marble NE
 Albuquerque, NM 87106
 505-272-5849

Contact: Matt Braun
 505-272-3270

Funding year: FY3-2009

This site is included in three different project components.

1. Redundant Metro Ethernet. Connectivity (See RFP Section 3.3 (pp. 10-11) for general UNM routing and connectivity requirements.) Redundant Metro Ethernet connectivity at either 50 or 100Mbps per RFP Section 3.5 (p. 13) and described in Appendix A: Site Connectivity, p. 17 Hardware: Cisco 3845, or equivalent, with dual power supply, 1 LX singlemode Gigabit module, 1 copper GBIC Ethernet module.

Hardware:

Redundant Metro Ethernet (This would go at whichever site is selected for Redundant Metro Ethernet, not all places listed)

Product	Description	Quantity
CISCO3945-SEC/K9	Cisco 3945 Security Bundle w/SEC license PAK	1
S39UK9-15001M	Cisco 3925-3945 IOS UNIVERSAL	1
HWIC-16A	16-Port Async HWIC	1
HWIC-1GE-SFP	GigE High Speed WIC With One SFP Slot	1
GLC-LH-SM	GE SFP, LC connector LX/LH transceiver	2
PWR-3900-POE	Cisco 3925/3945 AC Power Supply with Power Over E	1
PWR-3900-AC/2	Cisco 3925/3945 AC Power Supply (Secondary PS)	1
CAB-AC	AC Power Cord (North America), C13, NEMA 5-15P, 2	1
CAB-C15-AC	AC Power Cord (North America), C15, NEMA-5-15P, 2	1
CAB-HD8-ASYNC	High Density 8-port EIA-232 Async Cable	2
CAB-AUX-RJ45	Auxiliary Cable 8ft with RJ45 and DB25M	1
CAB-CONSOLE-RJ45	Console Cable 6ft with RJ45 and DB9F	1
CAB-CONSOLE-USB	Console Cable 6 ft with USB Type A and mini-B	1
3900-FANASSY	Cisco 3925/3945 Fan Assembly (Bezel included)	1
C3900-SPE150/K9	Cisco Services Performance Engine 150 for Cisco 394	1
ISR-CCP-EXP	Cisco Config Pro Express on Router Flash	1
MEM-3900-1GB-DEF	1GB DRAM (512MB+512MB) for Cisco 3925/3945 ISR	1
MEM-CF-256MB	256MB Compact Flash for Cisco 1900, 2900, 3900 ISF	1
SL-39-IPB-K9	IP Base License for Cisco 3925/3945	1
SL-39-SEC-K9	Security License for Cisco 3900 Series	1
CON-SNT-3945SEC	SMARTNET 8X5XNBD Cisco 3945 Security Bundle w/	1

Facility #3: UNM Hospital
 2211 Lomas Blvd. NE
 Albuquerque, NM 87106
 505-272-2111

Contact: Matt Braun
 505-272-3270

Funding year: FY3-2009

Connectivity: See RFP Section 3.3 (pp. 10-11) for general UNM routing and connectivity requirements.

- Redundant Metro Ethernet connectivity at either 50 or 100Mbps per RFP Section 3.5 (p. 13) and described in Appendix A: Site Connectivity, p. 17.

Hardware:

Redundant Metro Ethernet (This would go at whichever site is selected for Redundant Metro Ethernet, not all places listed)

Product	Description	Quantity
CISCO3945-SEC/K9	Cisco 3945 Security Bundle w/SEC license PAK	1
S39UK9-15001M	Cisco 3925-3945 IOS UNIVERSAL	1
HWIC-16A	16-Port Async HWIC	1
HWIC-1GE-SFP	GigE High Speed WIC With One SFP Slot	1
GLC-LH-SM	GE SFP, LC connector LX/LH transceiver	2
PWR-3900-POE	Cisco 3925/3945 AC Power Supply with Power Over E	1
PWR-3900-AC/2	Cisco 3925/3945 AC Power Supply (Secondary PS)	1
CAB-AC	AC Power Cord (North America), C13, NEMA 5-15P, 2	1
CAB-C15-AC	AC Power Cord (North America), C15, NEMA-5-15P, 2	1
CAB-HD8-ASYNC	High Density 8-port EIA-232 Async Cable	2
CAB-AUX-RJ45	Auxiliary Cable 8ft with RJ45 and DB25M	1
CAB-CONSOLE-RJ45	Console Cable 6ft with RJ45 and DB9F	1
CAB-CONSOLE-USB	Console Cable 6 ft with USB Type A and mini-B	1
3900-FANASSY	Cisco 3925/3945 Fan Assembly (Bezel included)	1
C3900-SPE150/K9	Cisco Services Performance Engine 150 for Cisco 3945	1
ISR-CCP-EXP	Cisco Config Pro Express on Router Flash	1
MEM-3900-1GB-DEF	1GB DRAM (512MB+512MB) for Cisco 3925/3945 ISR	1
MEM-CF-256MB	256MB Compact Flash for Cisco 1900, 2900, 3900 ISF	1
SL-39-IPB-K9	IP Base License for Cisco 3925/3945	1
SL-39-SEC-K9	Security License for Cisco 3900 Series	1
CON-SNT-3945SEC	SMARTNET 8X5XNBD Cisco 3945 Security Bundle w/	1

Facility #4: UNM Cancer Center Zone-Hub
 1201 Camino de Salud NE
 Albuquerque, NM 87106
 505-272-4946

Contact: Matt Braun
 505-272-3270

Funding year: FY3-2009

Connectivity: See RFP Section 3.3 (pp. 10-11) for general UNM routing and connectivity requirements.

- Redundant Metro Ethernet connectivity at either 50 or 100Mbps per RFP Section 3.6 (p. 15) and described in Appendix A: Site Connectivity, p. 17.

Hardware:

Redundant Metro Ethernet (This would go at whichever site is selected for Redundant Metro Ethernet, not all places listed)

Product	Description	Quantity
CISCO3945-SEC/K9	Cisco 3945 Security Bundle w/SEC license PAK	1
S39UK9-15001M	Cisco 3925-3945 IOS UNIVERSAL	1
HWIC-16A	16-Port Async HWIC	1
HWIC-1GE-SFP	GigE High Speed WIC With One SFP Slot	1
GLC-LH-SM	GE SFP, LC connector LX/LH transceiver	2
PWR-3900-POE	Cisco 3925/3945 AC Power Supply with Power Over E	1
PWR-3900-AC/2	Cisco 3925/3945 AC Power Supply (Secondary PS)	1
CAB-AC	AC Power Cord (North America), C13, NEMA 5-15P, 2	1
CAB-C15-AC	AC Power Cord (North America), C15, NEMA-5-15P, 2	1
CAB-HD8-ASYNC	High Density 8-port EIA-232 Async Cable	2
CAB-AUX-RJ45	Auxiliary Cable 8ft with RJ45 and DB25M	1
CAB-CONSOLE-RJ45	Console Cable 6ft with RJ45 and DB9F	1
CAB-CONSOLE-USB	Console Cable 6 ft with USB Type A and mini-B	1
3900-FANASSY	Cisco 3925/3945 Fan Assembly (Bezel included)	1
C3900-SPE150/K9	Cisco Services Performance Engine 150 for Cisco 3945	1
ISR-CCP-EXP	Cisco Config Pro Express on Router Flash	1
MEM-3900-1GB-DEF	1GB DRAM (512MB+512MB) for Cisco 3925/3945 ISR	1
MEM-CF-256MB	256MB Compact Flash for Cisco 1900, 2900, 3900 ISF	1
SL-39-IPB-K9	IP Base License for Cisco 3925/3945	1
SL-39-SEC-K9	Security License for Cisco 3900 Series	1
CON-SNT-3945SEC	SMARTNET 8X5XNBD Cisco 3945 Security Bundle w/	1

Facility #5: UNMH Family Health Clinic - Westside
 4804 McMahon NW
 Albuquerque, NM 87114
 505-272-1754

Contact: Matt Braun
 505-272-3270

Funding year: FY3-2009

Connectivity: See RFP Section 3.3 (pp. 10-11) for general UNM routing and connectivity requirements.

- Metro Ethernet at either 5, 10, 15, or 20 Mbps shared between this site and Novitski Hall as described in RFP Section 3.4 (p. 12) and displayed in Appendix A: Site Connectivity, p. 17.

Hardware: Cisco 2911 router

Product	Description	Quantity
CISCO2911-SEC/K9	Cisco 2911 Security Bundle w/SEC license PAK	1
S29UK9-15001M	Cisco 2901-2921 IOS UNIVERSAL	1
PWR-2911-POE	Cisco 2911 AC Power Supply with Power Over Ethernet	1
CAB-AC	AC Power Cord (North America), C13, NEMA 5-15P, 2.1m	1
ISR-CCP-EXP	Cisco Config Pro Express on Router Flash	1
MEM-2900-512MB-DEF	512MB DRAM for Cisco 2901-2921 ISR (Default)	1
MEM-CF-256MB	256MB Compact Flash for Cisco 1900, 2900, 3900 ISR	1
SL-29-IPB-K9	IP Base License for Cisco 2901-2951	1
SL-29-SEC-K9	Security License for Cisco 2901-2951	1
CON-SNT-2911SEC	SMARTNET 8X5XNBD Cisco 2911 Security	1

Facility #6: UNMH Maternity & Family Planning Clinic – South Broadway
 1500 Walter SE
 Albuquerque, NM 87102
 505-272-2156

Contact: Matt Braun
 505-272-3270

Funding year: FY3-2009

Connectivity: See RFP Section 3.3 (pp. 10-11) for general UNM routing and connectivity requirements.

- Metro Ethernet at either 5, 10, 15, or 20 Mbps shared between this site and Novitski Hall as described in RFP Section 3.4 (p. 12) and displayed in Appendix A: Site Connectivity, p. 17.

Hardware: Cisco 2911 router

Product	Description	Quantity
CISCO2911-SEC/K9	Cisco 2911 Security Bundle w/SEC license PAK	1
S29UK9-15001M	Cisco 2901-2921 IOS UNIVERSAL	1
PWR-2911-POE	Cisco 2911 AC Power Supply with Power Over Ethernet	1
CAB-AC	AC Power Cord (North America), C13, NEMA 5-15P, 2.1m	1
ISR-CCP-EXP	Cisco Config Pro Express on Router Flash	1
MEM-2900-512MB-DEF	512MB DRAM for Cisco 2901-2921 ISR (Default)	1
MEM-CF-256MB	256MB Compact Flash for Cisco 1900, 2900, 3900 ISR	1
SL-29-IPB-K9	IP Base License for Cisco 2901-2951	1
SL-29-SEC-K9	Security License for Cisco 2901-2951	1
CON-SNT-2911SEC	SMARTNET 8X5XNBD Cisco 2911 Security	1

Facility #7: UNMH Psychosocial Rehabilitation
 2001 El Centro Familiar Blvd. SW, Suite D
 Albuquerque, NM 87105
 505-272-5786

Contact: Matt Braun
 505-272-3270

Funding year: FY3-2009

Connectivity: See RFP Section 3.3 (pp. 10-11) for general UNM routing and connectivity requirements.

- Metro Ethernet at either 5, 10, 15, or 20 Mbps shared between this site and Novitski Hall as described in RFP Section 3.4 (p. 12) and displayed in Appendix A: Site Connectivity, p. 17.

Hardware: Cisco 2911 router

Product	Description	Quantity
CISCO2911-SEC/K9	Cisco 2911 Security Bundle w/SEC license PAK	1
S29UK9-15001M	Cisco 2901-2921 IOS UNIVERSAL	1
PWR-2911-POE	Cisco 2911 AC Power Supply with Power Over Ethernet	1
CAB-AC	AC Power Cord (North America), C13, NEMA 5-15P, 2.1m	1
ISR-CCP-EXP	Cisco Config Pro Express on Router Flash	1
MEM-2900-512MB-DEF	512MB DRAM for Cisco 2901-2921 ISR (Default)	1
MEM-CF-256MB	256MB Compact Flash for Cisco 1900, 2900, 3900 ISR	1
SL-29-IPB-K9	IP Base License for Cisco 2901-2951	1
SL-29-SEC-K9	Security License for Cisco 2901-2951	1
CON-SNT-2911SEC	SMARTNET 8X5XNBD Cisco 2911 Security	1

Facility #8: UNMH Maternity & Family Planning Clinic – Northwest Valley
 1231 Candelaria Rd. NW
 Albuquerque, NM 87107
 505-272-2158

Contact: Matt Braun
 505-272-3270

Funding year: FY3-2009

Connectivity: See RFP Section 3.3 (pp. 10-11) for general UNM routing and connectivity requirements.

- Metro Ethernet at either 5, 10, 15, or 20 Mbps shared between this site and Novitski Hall as described in RFP Section 3.4 (p. 12) and displayed in Appendix A: Site Connectivity, p. 17.

Hardware: Cisco 2911 router

Product	Description	Quantity
CISCO2911-SEC/K9	Cisco 2911 Security Bundle w/SEC license PAK	1
S29UK9-15001M	Cisco 2901-2921 IOS UNIVERSAL	1
PWR-2911-POE	Cisco 2911 AC Power Supply with Power Over Ethernet	1
CAB-AC	AC Power Cord (North America), C13, NEMA 5-15P, 2.1m	1
ISR-CCP-EXP	Cisco Config Pro Express on Router Flash	1
MEM-2900-512MB-DEF	512MB DRAM for Cisco 2901-2921 ISR (Default)	1
MEM-CF-256MB	256MB Compact Flash for Cisco 1900, 2900, 3900 ISR	1
SL-29-IPB-K9	IP Base License for Cisco 2901-2951	1
SL-29-SEC-K9	Security License for Cisco 2901-2951	1
CON-SNT-2911SEC	SMARTNET 8X5XNBD Cisco 2911 Security	1

Facility #9: UNMH Maternity & Family Planning Clinic – West Mesa
 6900 Gonzales Rd. SW, Suite H
 Albuquerque, NM 87121
 505-272-2154

Contact: Matt Braun
 505-272-3270

Funding year: FY3-2009

Connectivity: See RFP Section 3.3 (pp. 10-11) for general UNM routing and connectivity requirements.

- Metro Ethernet at either 5, 10, 15, or 20 Mbps shared between this site and Novitski Hall as described in RFP Section 3.4 (p. 12) and displayed in Appendix A: Site Connectivity, p. 17.

Hardware: Cisco 2911 router

Product	Description	Quantity
CISCO2911-SEC/K9	Cisco 2911 Security Bundle w/SEC license PAK	1
S29UK9-15001M	Cisco 2901-2921 IOS UNIVERSAL	1
PWR-2911-POE	Cisco 2911 AC Power Supply with Power Over Ethernet	1
CAB-AC	AC Power Cord (North America), C13, NEMA 5-15P, 2.1m	1
ISR-CCP-EXP	Cisco Config Pro Express on Router Flash	1
MEM-2900-512MB-DEF	512MB DRAM for Cisco 2901-2921 ISR (Default)	1
MEM-CF-256MB	256MB Compact Flash for Cisco 1900, 2900, 3900 ISR	1
SL-29-IPB-K9	IP Base License for Cisco 2901-2951	1
SL-29-SEC-K9	Security License for Cisco 2901-2951	1
CON-SNT-2911SEC	SMARTNET 8X5XNBD Cisco 2911 Security	1

Facility #10: UNMH Addictions & Substance Abuse Programs

2450 Alamo SE
Albuquerque, NM 87106
505-925-2400

Contact: Matt Braun
505-272-3270

Funding year: FY3-2009

Connectivity: See RFP Section 3.3 (pp. 10-11) for general UNM routing and connectivity requirements.

- Metro Ethernet at either 5, 10, 15, or 20 Mbps shared between this site and Novitski Hall as described in RFP Section 3.4 (p. 12) and displayed in Appendix A: Site Connectivity, p. 17.

Hardware: Cisco 2911 router

Product	Description	Quantity
CISCO2911-SEC/K9	Cisco 2911 Security Bundle w/SEC license PAK	1
S29UK9-15001M	Cisco 2901-2921 IOS UNIVERSAL	1
PWR-2911-POE	Cisco 2911 AC Power Supply with Power Over Ethernet	1
CAB-AC	AC Power Cord (North America), C13, NEMA 5-15P, 2.1m	1
ISR-CCP-EXP	Cisco Config Pro Express on Router Flash	1
MEM-2900-512MB-DEF	512MB DRAM for Cisco 2901-2921 ISR (Default)	1
MEM-CF-256MB	256MB Compact Flash for Cisco 1900, 2900, 3900 ISR	1
SL-29-IPB-K9	IP Base License for Cisco 2901-2951	1
SL-29-SEC-K9	Security License for Cisco 2901-2951	1
CON-SNT-2911SEC	SMARTNET 8X5XNBD Cisco 2911 Security	1

Facility #11: UNMH Assertive Community Treatment

622 Manzano NE
Albuquerque, NM 87110
505-925-4044

Contact: Matt Braun
505-272-3270

Funding year: FY3-2009

Connectivity: See RFP Section 3.3 (pp. 10-11) for general UNM routing and connectivity requirements.

- Metro Ethernet at either 5, 10, 15, or 20 Mbps shared between this site and Novitski Hall as described in RFP Section 3.4 (p. 12) and displayed in Appendix A: Site Connectivity, p. 17.

Hardware: Cisco 2911 router

Product	Description	Quantity
CISCO2911-SEC/K9	Cisco 2911 Security Bundle w/SEC license PAK	1
S29UK9-15001M	Cisco 2901-2921 IOS UNIVERSAL	1
PWR-2911-POE	Cisco 2911 AC Power Supply with Power Over Ethernet	1
CAB-AC	AC Power Cord (North America), C13, NEMA 5-15P, 2.1m	1
ISR-CCP-EXP	Cisco Config Pro Express on Router Flash	1
MEM-2900-512MB-DEF	512MB DRAM for Cisco 2901-2921 ISR (Default)	1
MEM-CF-256MB	256MB Compact Flash for Cisco 1900, 2900, 3900 ISR	1
SL-29-IPB-K9	IP Base License for Cisco 2901-2951	1
SL-29-SEC-K9	Security License for Cisco 2901-2951	1
CON-SNT-2911SEC	SMARTNET 8X5XNBD Cisco 2911 Security	1

Facility #12: UNMH Digestive Disease Center for Excellence
 1001 Dr. Martin Luther King Jr. Ave. NE
 Albuquerque, NM 87106
 505-925-6000

Contact: Matt Braun
 505-272-3270

Funding year: FY3-2009

Connectivity: See RFP Section 3.3 (pp. 10-11) for general UNM routing and connectivity requirements.

- Metro Ethernet at either 5, 10, 15, or 20 Mbps shared between this site and Novitski Hall as described in RFP Section 3.4 (p. 12) and displayed in Appendix A: Site Connectivity, p. 17.

Hardware: Cisco 2911 router

Product	Description	Quantity
CISCO2911-SEC/K9	Cisco 2911 Security Bundle w/SEC license PAK	1
S29UK9-15001M	Cisco 2901-2921 IOS UNIVERSAL	1
PWR-2911-POE	Cisco 2911 AC Power Supply with Power Over Ethernet	1
CAB-AC	AC Power Cord (North America), C13, NEMA 5-15P, 2.1m	1
ISR-CCP-EXP	Cisco Config Pro Express on Router Flash	1
MEM-2900-512MB-DEF	512MB DRAM for Cisco 2901-2921 ISR (Default)	1
MEM-CF-256MB	256MB Compact Flash for Cisco 1900, 2900, 3900 ISR	1
SL-29-IPB-K9	IP Base License for Cisco 2901-2951	1
SL-29-SEC-K9	Security License for Cisco 2901-2951	1
CON-SNT-2911SEC	SMARTNET 8X5XNBD Cisco 2911 Security	1

Facility #13: UNMH Lifeguard Air Emergency Services

2505 Clark Carr Loop SE
Albuquerque, NM 87106
505-272-2464

Contact: Matt Braun
505-272-3270

Funding year: FY3-2009

Connectivity: See RFP Section 3.3 (pp. 10-11) for general UNM routing and connectivity requirements.

- Metro Ethernet at either 5, 10, 15, or 20 Mbps shared between this site and Novitski Hall as described in RFP Section 3.4 (p. 12) and displayed in Appendix A: Site Connectivity, p. 17.

Hardware: Cisco 2911 router

Product	Description	Quantity
CISCO2911-SEC/K9	Cisco 2911 Security Bundle w/SEC license PAK	1
S29UK9-15001M	Cisco 2901-2921 IOS UNIVERSAL	1
PWR-2911-POE	Cisco 2911 AC Power Supply with Power Over Ethernet	1
CAB-AC	AC Power Cord (North America), C13, NEMA 5-15P, 2.1m	1
ISR-CCP-EXP	Cisco Config Pro Express on Router Flash	1
MEM-2900-512MB-DEF	512MB DRAM for Cisco 2901-2921 ISR (Default)	1
MEM-CF-256MB	256MB Compact Flash for Cisco 1900, 2900, 3900 ISR	1
SL-29-IPB-K9	IP Base License for Cisco 2901-2951	1
SL-29-SEC-K9	Security License for Cisco 2901-2951	1
CON-SNT-2911SEC	SMARTNET 8X5XNBD Cisco 2911 Security	1

Facility #14: HSC Continuum of Care Project
 2350 Alamo Avenue SE, Suite 155
 Albuquerque, NM 87106
 (505) 925-2350

Contact: Matt Braun
 505-272-3270

Funding year: FY3-2009

Connectivity: See RFP Section 3.3 (pp. 10-11) for general UNM routing and connectivity requirements.

Hardware: Cisco 2911 router

Product	Description	Quantity
CISCO2911-SEC/K9	Cisco 2911 Security Bundle w/SEC license PAK	1
S29UK9-15001M	Cisco 2901-2921 IOS UNIVERSAL	1
PWR-2911-POE	Cisco 2911 AC Power Supply with Power Over Ethernet	1
CAB-AC	AC Power Cord (North America), C13, NEMA 5-15P, 2.1m	1
ISR-CCP-EXP	Cisco Config Pro Express on Router Flash	1
MEM-2900-512MB-DEF	512MB DRAM for Cisco 2901-2921 ISR (Default)	1
MEM-CF-256MB	256MB Compact Flash for Cisco 1900, 2900, 3900 ISR	1
SL-29-IPB-K9	IP Base License for Cisco 2901-2951	1
SL-29-SEC-K9	Security License for Cisco 2901-2951	1
CON-SNT-2911SEC	SMARTNET 8X5XNBD Cisco 2911 Security	1

Facility #15: HSC College of Nursing, East Mountain Family Health
 1841 Old Highway 66
 Edgewood, NM 87015
 (505) 286-3100

Contact: Matt Braun
 505-272-3270

Funding year: FY3-2009

Connectivity: See RFP Section 3.3 (pp. 10-11) for general UNM routing and connectivity requirements. For this site also propose 1.5 mb/s point to point T1 services to 2320 Tucker

Hardware: Cisco 2911 router

Product	Description	Quantity
CISCO2911-SEC/K9	Cisco 2911 Security Bundle w/SEC license PAK	1
S29UK9-15001M	Cisco 2901-2921 IOS UNIVERSAL	1
PWR-2911-POE	Cisco 2911 AC Power Supply with Power Over Ethernet	1
CAB-AC	AC Power Cord (North America), C13, NEMA 5-15P, 2.1m	1
ISR-CCP-EXP	Cisco Config Pro Express on Router Flash	1
MEM-2900-512MB-DEF	512MB DRAM for Cisco 2901-2921 ISR (Default)	1
MEM-CF-256MB	256MB Compact Flash for Cisco 1900, 2900, 3900 ISR	1
SL-29-IPB-K9	IP Base License for Cisco 2901-2951	1
SL-29-SEC-K9	Security License for Cisco 2901-2951	1
CON-SNT-2911SEC	SMARTNET 8X5XNBD Cisco 2911 Security	1

Facility #16: Center for Rural and Community Behavioral Health (CRCBH)
 2301 Yale Blvd. SE, Suite F-1
 Albuquerque, NM 87106
 (505)272-6238

Contact: Matt Braun
 505-272-3270

Funding year: FY3-2009

Connectivity: See RFP Section 3.3 (pp. 10-11) for general UNM routing and connectivity requirements.

Hardware: Cisco 2911 router

Product	Description	Quantity
CISCO2911-SEC/K9	Cisco 2911 Security Bundle w/SEC license PAK	1
S29UK9-15001M	Cisco 2901-2921 IOS UNIVERSAL	1
PWR-2911-POE	Cisco 2911 AC Power Supply with Power Over Ethernet	1
CAB-AC	AC Power Cord (North America), C13, NEMA 5-15P, 2.1m	1
ISR-CCP-EXP	Cisco Config Pro Express on Router Flash	1
MEM-2900-512MB-DEF	512MB DRAM for Cisco 2901-2921 ISR (Default)	1
MEM-CF-256MB	256MB Compact Flash for Cisco 1900, 2900, 3900 ISR	1
SL-29-IPB-K9	IP Base License for Cisco 2901-2951	1
SL-29-SEC-K9	Security License for Cisco 2901-2951	1
CON-SNT-2911SEC	SMARTNET 8X5XNBD Cisco 2911 Security	1

Facility #17: UNM Vein Center
 7007 Wyoming Blvd NE, Unit A-3 Cherry Hills
 Albuquerque NM 87109
 (505) 272-8346

Contact: Matt Braun
 505-272-3270

Funding year: FY3-2009

Connectivity: See RFP Section 3.3 (pp. 10-11) for general UNM routing and connectivity requirements.

Hardware: Cisco 2911 router

Product	Description	Quantity
CISCO2911-SEC/K9	Cisco 2911 Security Bundle w/SEC license PAK	1
S29UK9-15001M	Cisco 2901-2921 IOS UNIVERSAL	1
PWR-2911-POE	Cisco 2911 AC Power Supply with Power Over Ethernet	1
CAB-AC	AC Power Cord (North America), C13, NEMA 5-15P, 2.1m	1
ISR-CCP-EXP	Cisco Config Pro Express on Router Flash	1
MEM-2900-512MB-DEF	512MB DRAM for Cisco 2901-2921 ISR (Default)	1
MEM-CF-256MB	256MB Compact Flash for Cisco 1900, 2900, 3900 ISR	1
SL-29-IPB-K9	IP Base License for Cisco 2901-2951	1
SL-29-SEC-K9	Security License for Cisco 2901-2951	1
CON-SNT-2911SEC	SMARTNET 8X5XNBD Cisco 2911 Security	1

Appendix C: Metro Ethernet Site Price List

Metro Ethernet Site Pricing

Site Name	Site Address	Non-Recurring Costs (NRC)	1.5 Mb/s Monthly Recurring Cost	5 mb/s Monthly Recurring Cost	10 mb/s Monthly Recurring Cost	15 mb/s Monthly Recurring Cost	20 mb/s Monthly Recurring Cost
UNMH Family Health Clinic – Westside	4808 McMahon NW						
UNMH Maternity & Family Planning Clinic – South Broadway	1500 Walter SE						
UNMH Psychosocial Rehabilitation	2001 El Centro Familiar Blvd. SW Suite D						
UNMH Maternity & Family Planning Clinic – Northwest Valley	1231 Candelaria Rd. NW						
UNMH Maternity & Family Planning Clinic – West Mesa	6900 Gonzales Rd SW, Suite H						
UNMH Addictions and Substance Abuse Programs (ASAP)	2450 Alamo SE						
UNMH Assertive Community Treatment (ACT)	622 Manzano NE						
UNMH Digestive Disease Center for Excellence	1001 Dr. Martin Luther King Jr. Blvd NE						
UNMH Lifeguard Air Emergency Services	2505 Clark Carr Loop SE						
UNM Vein Center	7007 Wyoming NE Suite A-3						
HSC Continuum of Care	2350 Alamo Avenue SE Suite 155						
HSC CON East Mountain Family Health	1841 Old Highway 66 Edgewood, NM 87015						
Center for Rural and Community Behavioral Health	2301 Yale Blvd. SE, Suite F-1						